

KIOTI LOADERS & BACKHOES

KL SERIES / KB 24 SERIES



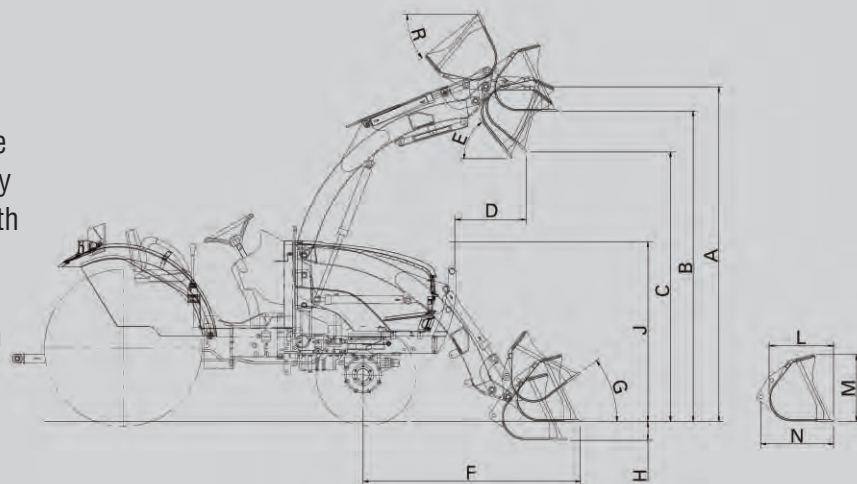

KIOTI[®]
run ahead of the pack



The Kioti KL Series Loaders utilize the tractor's hydraulic system, and feature single-lever control with float, and a bucket level indicator. Models KL451, KL551 & KL901 are mechanical self-leveling style loaders.

KL Series Loaders

The Kioti KL Series Loaders are built strong and feature heavy lift capacity with greater lift height and high quality components that enable you to tackle any kind of job with confidence. Kioti KL130 loaders and larger are all equipped with a skidsteer compatible quick-attach mounting system that makes attaching a bucket smooth and effortless. Drive in, flip the locking mechanism and go to work. A built-in parking stand on the front-end loader provides quick and easy removal and installation.



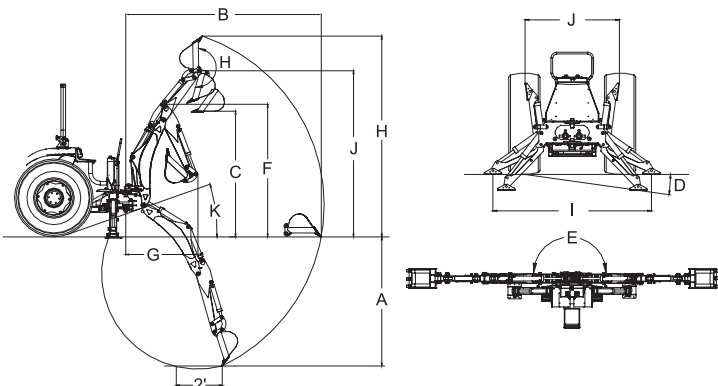
	Model	KL120	KL130	KL401/2	KL451	KL551	KL601	KL901
A.	Maximum Lift Height	88"	92.5"	107.8"	114.96"	113.58"	114.2"	141.54"
B.	Clearance w/ Attachment Level	81"	85.7"	105.5"	109.69"	111.02"	102.7"	136.06"
C.	Clearance w/ Attachment Dumped	69.13"	73.6"	79.9"	92.32"	88.20"	85.4"	112.40"
D.	Reach at Maximum Height	19.25"	17.8"	16.1"	28.54"	28.54"	22.2"	15.35"
E.	Maximum Dump Angle	45°	52°	73°	75°	64°	71°	65°
F.	Reach w/ Attachment on Ground	54.37"	59.88"	73.6"	71.26"	73.62"	73.5"	84.84"
G.	Maximum Rollback Angle	35°	37°	30°	40°	35°	44°	46°
H.	Digging Depth Below Grade	2.87"	5.31"	6.7"	6.06"	6.06"	6.3"	7.36"
J.	Overall Height in Carry Position	41.46"	49.6"	52.7"	56.81"	56.81"	66.7"	68.31"
K.	Depth of Attachment (to back of inner shell)	17.71"	17.71"	20.7"	18.58"	18.58"	21.6"	21.26"
L.	Height of Attachment	18.50"	18.50"	22.6"	22.4"	22.4"	22.8"	20.47"
M.	Depth of Attachment (to pivot pin)	19.96"	19.96"	25.9"	25.2"	25.2"	29.1"	29.92"



The subframe mounted Kioti backhoes can be easily attached and detached using locking pins and quick connect hydraulics. The backhoe's subframe design provides a large approach angle for easy loading.

KB 24 Series Backhoes

The Kioti KB 24 Series lets you trench up to 94.4" deep with a bucket dig force up to 3,748 pounds. Backhoes feature subframe mounting, responsive two-lever controls with exceptional feathering, hydraulic stabilizers, transport lock and a variety of standard and heavy-duty buckets.



	Model	KB2465	KB2475	KB2485
Designed For		CK20S	CK27, CK30, CK35, DK35SE	DK35SE, DK40SE, DK45SE, DK50SE, DK45S, DK55
A.	Digging depth	76.3"	89.7"	94.4"
B.	Reach (from center of swing pivot)	113.1"	125.1"	136.1"
C.	Loading height (bucket at 60°)	63.6"	72.4"	80.3"
D.	Maximum Leveling Angle	10°	10°	10°
E.	Swing arc	180°	180°	180°
F.	Transport height (maximum)	77.2"	83.5"	92.9"
G.	Transport overhang	43.5"	49.0"	50.4"
H.	Bucket rotation	180°	180°	180°
I.	Stabilizer spread (down position)	68.7"	68.7"	68.7"
J.	Stabilizer spread (up position)	46.4"	46.4"	46.4"
K.	Angle of Departure	21°	21°	21°
	Shipping weight (less bucket)	1,036 lbs	1,069 lbs	1,102 lbs
	Bucket digging force	2,817.5 lbs	2,817.5 lbs	3,748 lbs
	Dipperstick digging force	1,748 lbs	2,105 lbs	2,205 lbs
	Operating pressure	2,466 psi	2,466 psi	2,466 psi
Tractor must be properly fitted with a loader for safety and correct mounting of subframe and backhoe.				
Specifications and design are subject to change without prior notice.				
*Includes mounting brackets				



ISO 9001
NO:954596



ISO 14001
NO:771475



OHSAS 18001
NO:K033008

KL Series Loader Specifications

Model	KL120	KL130	KL401	KL402	KL451	KL551	KL601	KL901
Designed For	CK20S	CK27/30/35	DK40SE/45SE/50SE	DS4010/DS4510	DK45S	DK55	RX6010	DK75/DK90
Bucket Size	50"	60"	72"	66"	72"	78"	80"	84"
Rated Bucket Capacity	5.65 cu.ft.	7.06 cu.ft.	9.18 cu.ft.	8.47 cu.ft.	9.18 cu.ft.	9.88 cu.ft.	11.3 cu.ft.	11.01 cu.ft.
Heaped Bucket Capacity	7.76 cu.ft.	9.53 cu.ft.	15.88 cu.ft.	14.12 cu.ft.	15.88 cu.ft.	20.12 cu.ft.	17.3 cu.ft.	19.10 cu.ft.
Ballast Box attached to 3-point	600 lbs	700 lbs	1,047 lbs	1,047 lbs	2,200 lbs	2,200 lbs	TBD	691 lbs
Relief Valve Setting (Loader Control Valve)	2,000 psi	2,000 psi	2,556 psi	2,556 psi	2,600 psi	2,600 psi	2,630.7 psi	2,600 psi
Rated Flow (Tractor System)	7.66 GPM	12.7 GPM	10 GPM	10 GPM	10 GPM	10 GPM	10.57 GPM	12.3 GPM
Approximate Weight w/ Bucket	650 lbs	770 lbs	1,082 lbs	1,082 lbs	1,305 lbs	1,322 lbs	1,369 lbs	1325 lbs
Bucket size used for specification	50"	60"	72"	66"	72"	78"	80"	84"
Lift Capacity to Full Height at Pivot Pins	1,074 lbs	1,155 lbs	2,761 lbs	2,761 lbs	2,800 lbs	2,850 lbs	2,864 lbs	3,749 lbs
Breakout Force at Pivot Pin	1,515 lbs	2,046 lbs	3,727 lb	3,727 lb	4,500 lbs	4,675 lbs	4,577 lbs	8,136 lbs
Lift Cylinders	1.77"x21.65"	1.77"x24.09"	2.36"x19.00"	2.36"x19.00"	2.36"x21.92"	2.36"x21.92"	2.3"x20.1"	2.75"x21.47"
Bucket Cylinder	1.77"x23.19"	1.77"x23.19"	2.16"x20.67"	2.16"x20.67"	2.16"x15.14"	2.36"x15.14"	2.5"x14.1"	2.55"x15.45"
Raise Boom (seconds)	3	3.9	4.5	4.5	7.0	5.5	5.1	5.4
Lower Boom (seconds)	2.4	2.8	4.8	4.8	4.0	5	3.6	3.5
Dump Bucket (seconds)	3	2.7	1.5	1.5	4.0	3	3.6	3.6
Retract Bucket (seconds)	2.9	2.4	2.1	2.1	3.0	2	2.5	2.5
Hydraulic System	Tractor pump w/ tractor mounted joy stick valve.	Tractor pump w/ tractor mounted joy stick valve.	Tractor pump w/ tractor mounted joy stick valve.	Tractor pump w/ tractor mounted joy stick valve.	Tractor pump w/ tractor mounted joy stick valve.	Tractor pump w/ tractor mounted joy stick valve.	Tractor pump w/ tractor mounted joy stick valve.	Tractor pump w/ tractor mounted joy stick valve.

Specifications and design are subject to change without prior notice.

KB 24 Series Backhoe Specifications

Cylinder	Bore Diameter			Retracted Length			Stroke			Rod Diameter		
	KB2465	KB2475	KB2485	KB2465	KB2475	KB2485	KB2465	KB2475	KB2485	KB2465	KB2475	KB2485
Boom	2.75	2.75	2.75	23	24.4	25.04	15.1	15.1	15.20	1.57	1.57	1.57
Bucket	2.36	2.36	2.36	21	21.0	24.80	11.7	11.7	15.55	1.38	1.38	1.38
Dipperstick	2.36	2.75	2.75	20.6	23.5	27.87	11.9	14.8	19.88	1.38	1.38	1.57
Swing	2.36	2.36	2.36	15.67	15.67	15.67	8.78	8.78	8.78	1.38	1.38	1.38
Stabilizer	2.36	2.36	2.36	17.5	17.5	17.55	10.3	10.31	10.31	1.38	1.38	1.38

Bucket	Teeth Quantity	Struck Capacity	Heaped Capacity	Shipping Weight
9" Bucket	3	0.73 cu. ft.	0.87 cu. ft.	46 lbs.
12" Bucket	3	1.01 cu. ft.	1.24 cu. ft.	56 lbs.
16" Bucket	3	1.38 cu. ft.	1.76 cu. ft.	64 lbs.
18" Bucket	4	1.56 cu. ft.	2.02 cu. ft.	70 lbs.
24" Bucket	5	2.11 cu. ft.	2.82 cu. ft.	94 lbs.
36" Bucket	6	2.78 cu. ft.	4.00 cu. ft.	114 lbs.

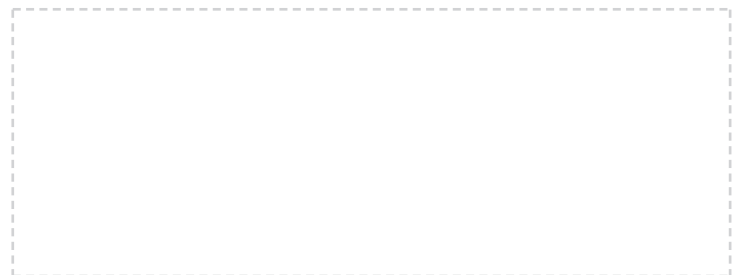
Specifications and design are subject to change without prior notice.



KIOTI Tractor Division

DAEDONG - USA, INC.
6300 KIOTI Drive, Wendell, NC 27591
toll free 877-GO-KIOTI • fax 919-374-5001
web www.KIOTI.com

www.Facebook.com/KiotiTractor



Part Number BR-LDR-BKH0E